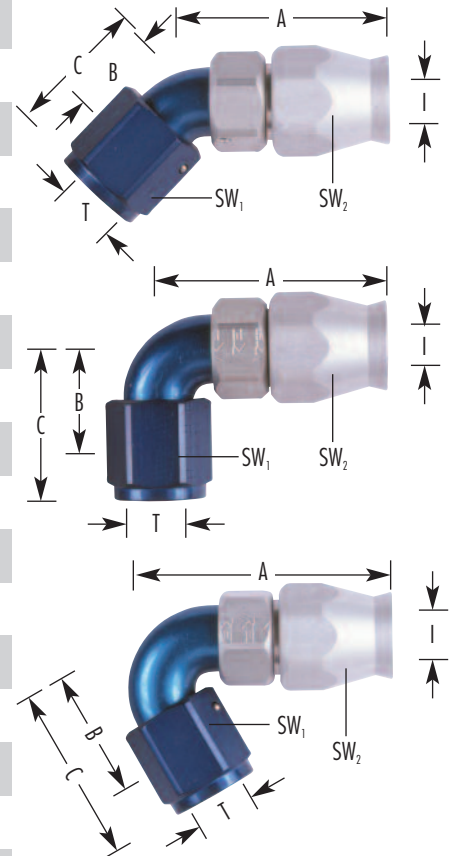


Part No.	Hose Size	Thread "T"	A max. [mm]	B max. [mm]	C max. [mm]	I [mm]	SW ₁ [mm]	SW ₂ [mm]
----------	-----------	------------	-------------	-------------	-------------	--------	----------------------	----------------------

Serie 6000

6046-06D	6000-06D	9/16-18 UNF	36,4	14,1	22,8	7,2	17,4	17,0
6046-08D	6000-08D	3/4-16 UNF	43,1	16,4	26,9	9,6	22,0	22,0
6091-06D	6000-06D	9/16-18 UNF	42,1	19,6	28,2	7,2	17,4	17,0
6091-08D	6000-08D	3/4-16 UNF	50,9	24,2	34,7	9,6	22,0	22,0
6120-06D	6000-06D	9/16-18 UNF	49,7	25,3	33,9	7,2	17,4	17,0
6120-08D	6000-08D	3/4-16 UNF	61,0	33,2	43,8	9,6	22,0	22,0



Ersatzolive¹ / Spare Olive

OL-03D
OL-04D
OL-06D
OL-08D
OL-03 SS²
OL-04 SS²

Ersatzsocket / Spare Socket

So-6000-03D-R
So-6000-03D-G
So-6000-03SS
So-6000-04D-R
So-6000-04D-G
So-6000-04SS
So-6000-06D-R
So-6000-06D-G
So-6000-08D-R
So-6000-08D-G

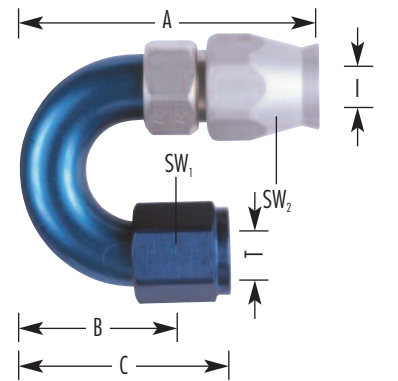
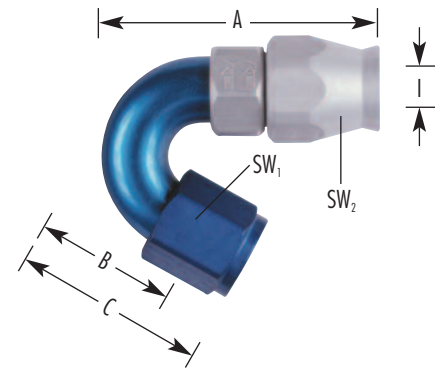
¹ Nach jedem Lösen der Schlaucheinbindung muß die Dichtolive erneuert werden / You have to use a new olive after replacement of hose

² SS für Edelstahl / SS for stainless steel

Part No.	Hose Size	Thread "T"	A max. [mm]	B max. [mm]	C max. [mm]	I [mm]	SW ₁ [mm]	SW ₂ [mm]
----------	-----------	------------	-------------	-------------	-------------	--------	----------------------	----------------------

Serie 6000

6150-06D	6000-06D	9/16-18 UNF	52,0	30,5	39,1	7,2	17,4	17,0
6150-08D	6000-08D	3/4-16 UNF	63,0	39,0	49,5	9,6	22,0	22,0
6180-06D	6000-06D	9/16-18 UNF	55,1	33,4	42,0	7,2	17,4	17,0
6180-08D	6000-08D	3/4-16 UNF	66,0	40,8	51,3	9,6	22,0	22,0



Ersatzolive¹ / Spare Olive

OL-03D
OL-04D
OL-06D
OL-08D
OL-03 SS²
OL-04 SS²

Ersatzsocket / Spare Socket

So-6000-03D-R
So-6000-03D-G
So-6000-03SS
So-6000-04D-R
So-6000-04D-G
So-6000-04SS
So-6000-06D-R
So-6000-06D-G
So-6000-08D-R
So-6000-08D-G

¹ Nach jedem Lösen der Schlaucheinbindung muß die Dichtolive erneuert werden / You have to use a new olive after replacement of hose

² SS für Edelstahl / SS for stainless steel